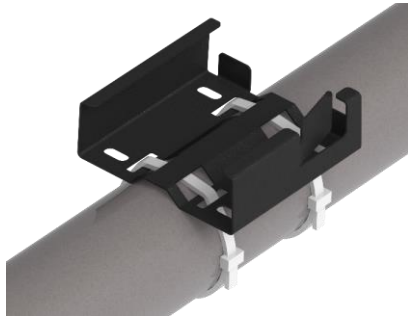
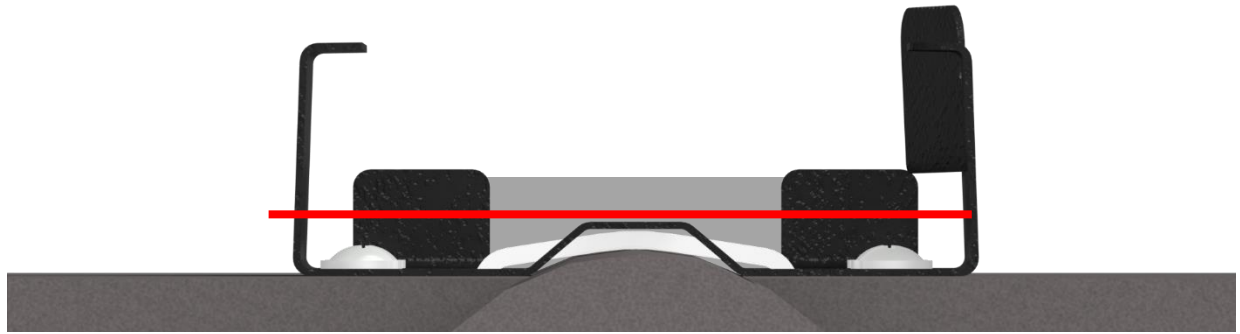
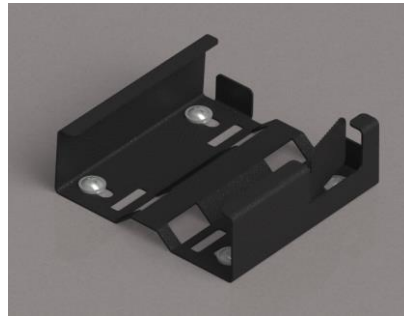


**6.5. No bolt/screw heads or cable/zip ties can protrude over the red line as marked bellow.**



Cable / zip tie fixture

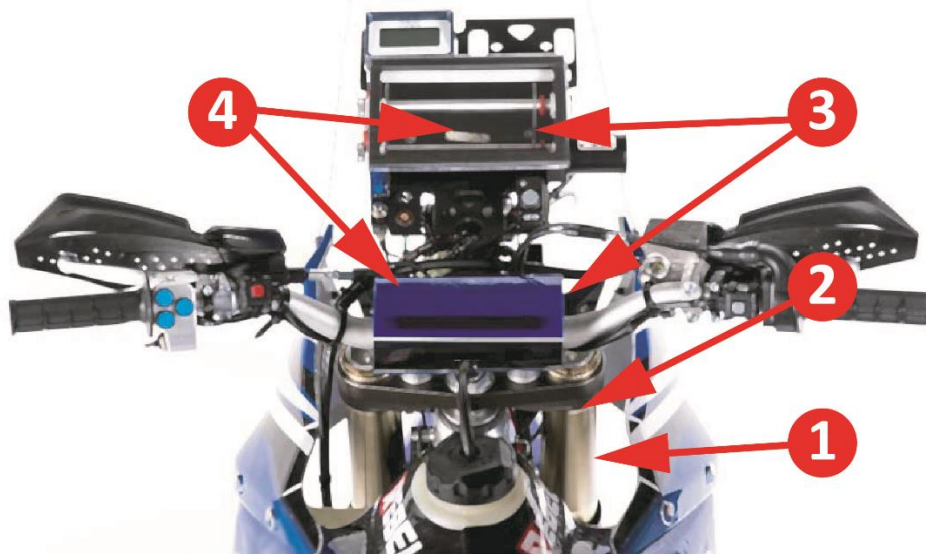


Screw / bolt fixture



Com-Box unit installaed in bracket

**7. INSTALLATION POSITION: ENDURO**



#	Location	Fixing
<b>1 – Power supply cable end</b>	Close to the top fork mount or navigation tower	Zip ties
<b>2 – GPS Tracker</b>	Close to the top fork mount or navigation tower	Zip ties
<b>3 – Com Box</b>	Handle bar or navigation tower	Base/mount bracket
<b>4 – Buzzer / Alarm</b>	Handle bar or navigation tower	Zip ties