

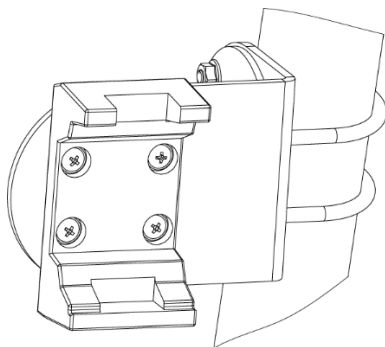
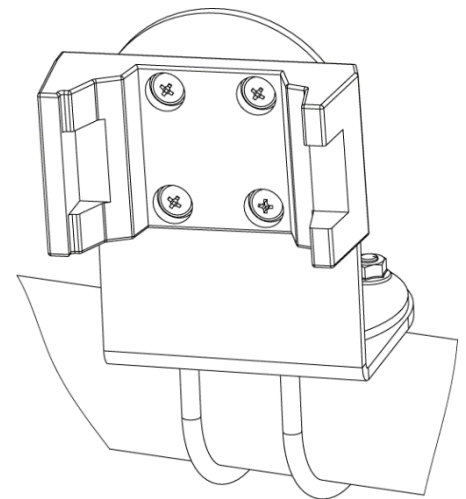
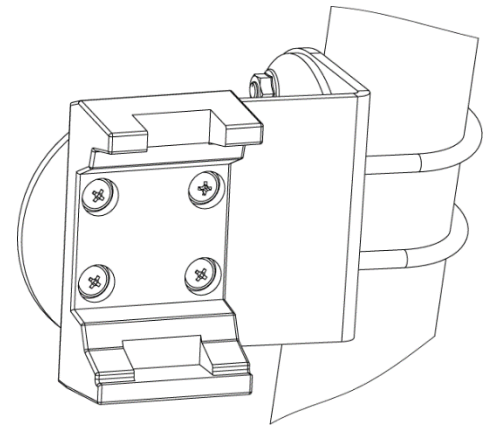


NAVIGATION SYSTEM MONTANA 700i NAV-GPS MOUNTING BRACKETS

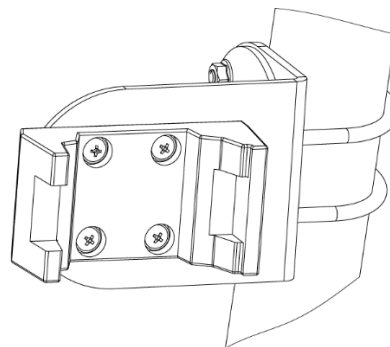


For AUTO & SXS only

1. Special mounting bracket including connector for power will be supplied by the organizer at the administrative check to be installed in the rally vehicles and must be returned after the finish of the rally.
2. The mounting bracket can be attached directly to the dashboard by screws or adhesive tape or to the roll-cage with the included U-bolt fittings.
3. The bracket is engineered to fit Roll Cage tubes between $\varnothing 35$ to $\varnothing 50$ and gives X,Y,Z freedom of rotation for the best view angles.
4. The power connector terminals will be connected by the organization during the scrutineering. The SAME power supply as the Rally Safety System will be used. No additional power cables needed.
5. The Mounting bracket can allow horizontal and vertical mounting of the NAV-GPS devices.

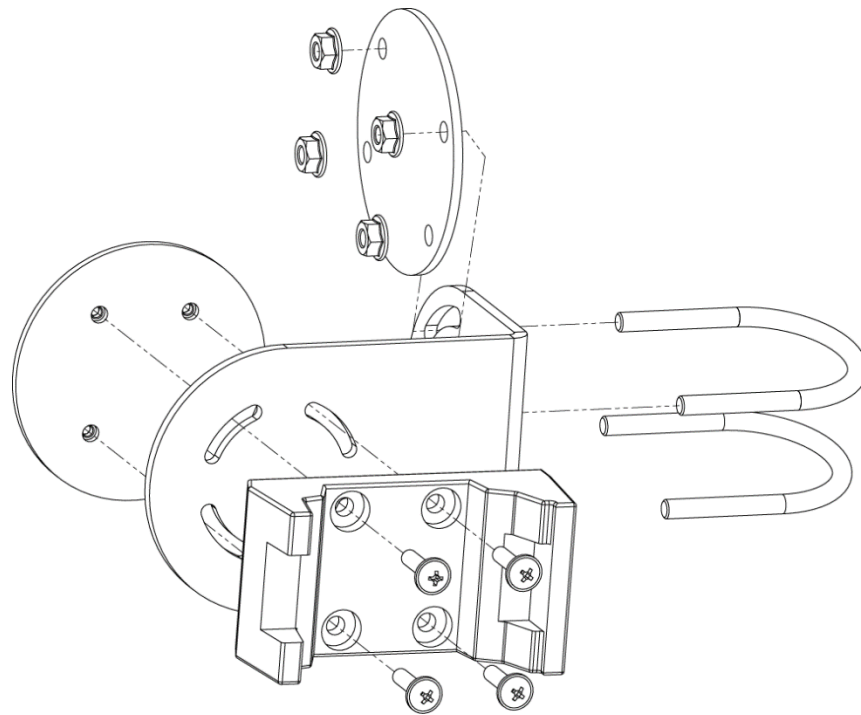


Landscape view



Portrait view

6. It is the responsibility of the competitor to prepare and mount the bracket before the vehicle is presented for Technical Inspection.
7. The Garmin GPS device must be visible and accessible at least to the co-driver while seated with the seatbelts buckled.
8. It is the competitor's responsibility to ensure that the power supply is permanently connected and Garmin GPS stays operational throughout the duration of the Leg.



Exploded view of the mounting bracket